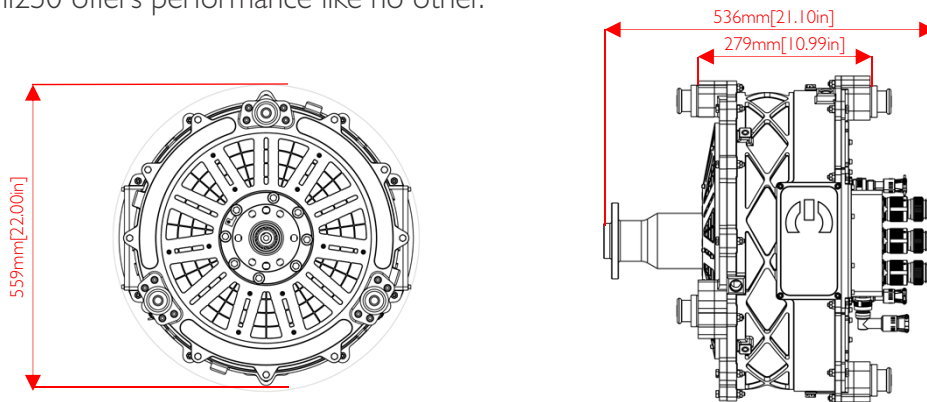


# magni250

At a continuous 280 kW / 375 shp and turning at only 1900 RPM, the magni250 is perfectly suited for your commercially focused aircraft. Be it powering a smaller aircraft as a standalone propulsion system, or as part of a distributed propulsion system on a larger aircraft, the magni250 offers performance like no other.



## Features:

- 2 x 3-phase architecture allows for Graceful Degradation™ should a fault occur
- Full torque is available even at low RPM and is not impacted by altitude
- Direct drive to propeller - no need for a reduction gearbox
- Replaceable motor mounting points
- Filtered front and rear plates
- Advanced liquid cooling and thermal performance
- Can integrate with off-the-shelf propeller governors for variable pitch control

## PERFORMANCE SPECIFICATIONS

Continuous Torque	1407 Nm / 1038 ft.lbs
Continuous Power	280 kW / 375 shp
Base Speed	1900 RPM
Maximum Speed	3000 RPM
DC Link Voltage (nominal)	540V
DC Link Voltage range	490 - 750V
3-Phase Windings / magniDrive Units	2
Efficiency (Motor)	>93%
Motor Weight (Est.)	71 kg / 156 lbs

