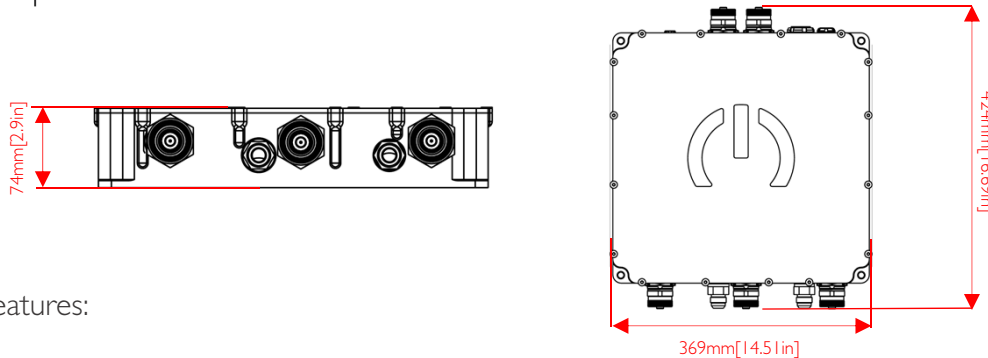


magniDrive

The magniDrive is a multi-application, aerospace inverter solution. It is bi-directional, capable of both DC/AC operation for propulsion and AC/DC operation for generation. It is suitable for HVDC networks of up to 800 VDC. Designed for unpressurized operation, the magniDrive combines high thermal performance, EMI immunity and lightning protection for metallic and composite structures.



Features:

- Silicon carbide technology
- Advanced liquid cooling and thermal performance
- Designed for unpressurised operations
- High level of hardware and software protection
- Meets DO160, DO178/DO254 standards
- Lightning protection
- High performance EMI filtering
- Ground fault detection

PERFORMANCE SPECIFICATIONS :

Output Power	170 kW
Efficiency	98.9%
Weight (Est.)	<12 kg / 33 lbs
Interfaces	CAN x3, RS485, PT1000, pressure sensors
Voltage (HVDC)	400 – 800 V
Measurements (mm)	424x369x74

